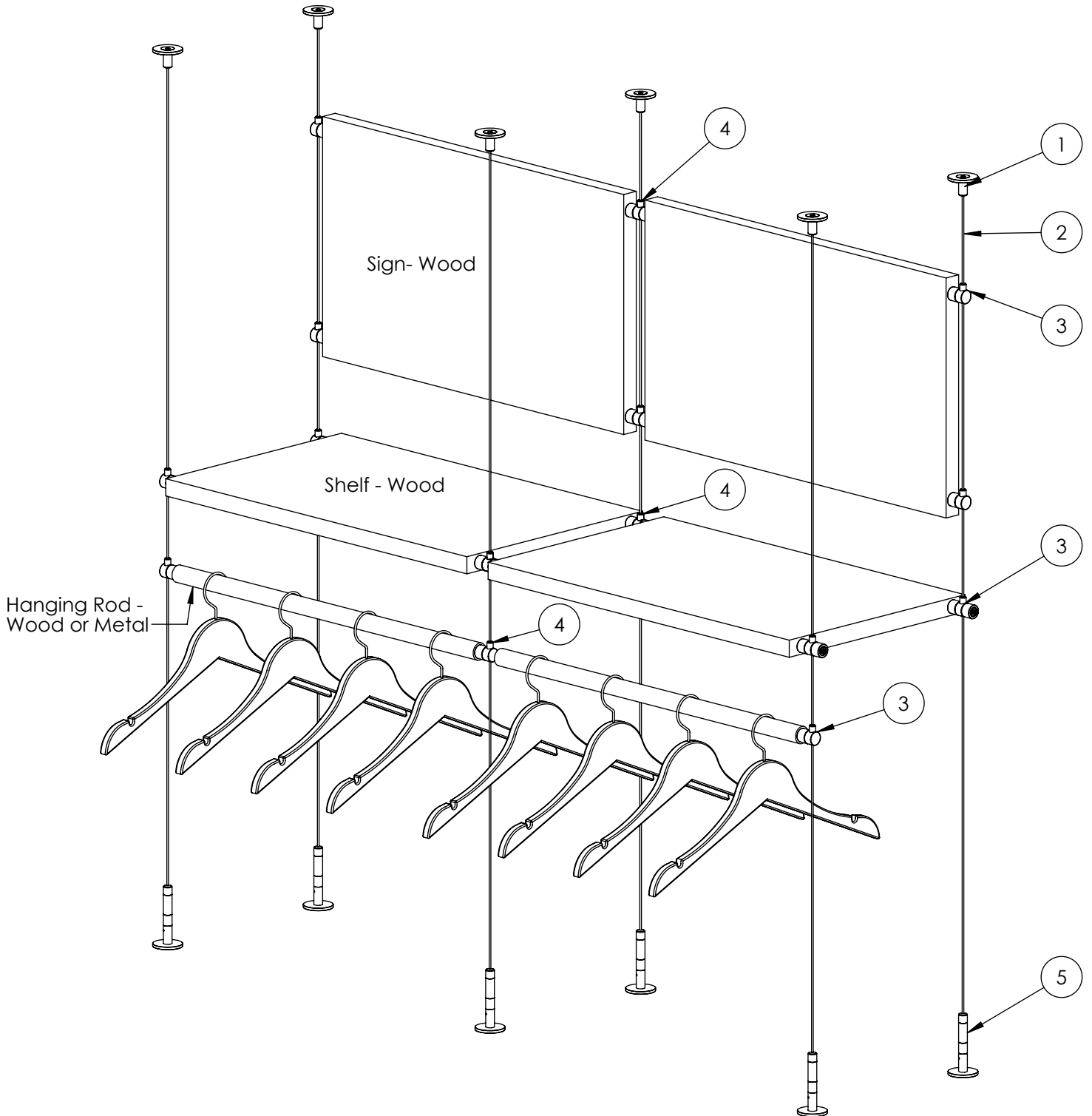


FLOOR TO CEILING SIGN/ SHELF/ROD DUAL SIDE MOUNT SYSTEM

BILL OF MATERIALS

ITEM #	GRIPLOCK P/N	QTY.
1	DG-CC-CPLT-SAT	6
2	DAS-25-71-xxx*	6
3	DG-25-SMU-SAT	10
4	DG-25-SMUX2-SAT	5
5	DG-TNS-CPLT-SAT	6

*xxx is length of cable in inches.
Stock lengths are 60", 120", 180" & 240"



DATE: 09/09/08

SCALE: 1:8

FILE: Sign-Shelf-Rod Dual Side
Mount System, Floor & Ceiling
Cover Plates

PROPRIETARY AND CONFIDENTIAL

This drawing and these specifications are the exclusive property of GRIPLOCK SYSTEMS LLC and shall not be divulged, reproduced, copied, or used as the basis for the manufacture or sale of apparatus without the express written authorization of GRIPLOCK SYSTEMS LLC.

**GRIP
LOCK**
SYSTEMS

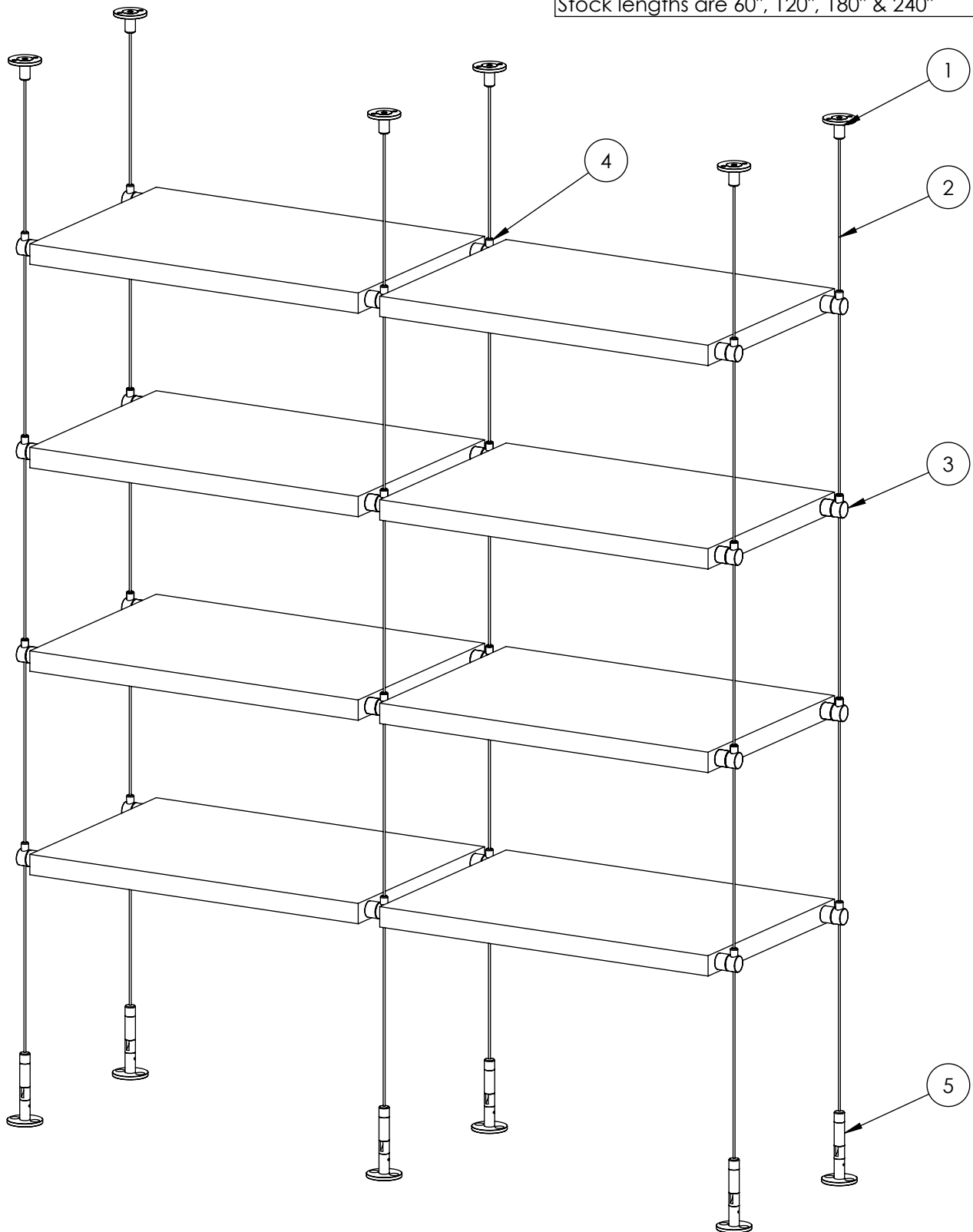
GRIPLOCK SYSTEMS

410 Palm Ave. Loft A18, Carpinteria, CA 93013
Phone (805) 566-0064 Fax (805) 566-0065
www.griplocksystems.com

6-CABLE SHELVING SYSTEM WITH SIDE MOUNTS

BILL OF MATERIALS		
ITEM #	GRIPLOCK P/N	QTY.
1	DG-CC-APLT-SAT	6
2	DAS-25-71-xxx*	6
3	DG-25-SMU-SAT	16
4	DG-25-SMUX2-SAT	8
5	DG-TNS-APLT-SAT	6

*xxx is length of cable in inches.
Stock lengths are 60", 120", 180" & 240"



DATE: 07/15/08

SCALE: 1:7

FILE: Floor to Ceiling Shelving w
DG-25-SMUX2-SAT & APLT

PROPRIETARY AND CONFIDENTIAL

This drawing and these specifications are the exclusive property of GRIPLOCK SYSTEMS INC. and shall not be divulged, reproduced, copied, or used as the basis for the manufacture or sale of apparatus without the express written authorization of GRIPLOCK SYSTEMS INC.



GRIPLOCK SYSTEMS

410 Palm Ave. Loft A18, Carpinteria, CA 93013
Phone (805) 566-0064 Fax (805) 566-0065
www.griplocksystems.com